

## LOK Fixing Base

### Features and Benefits

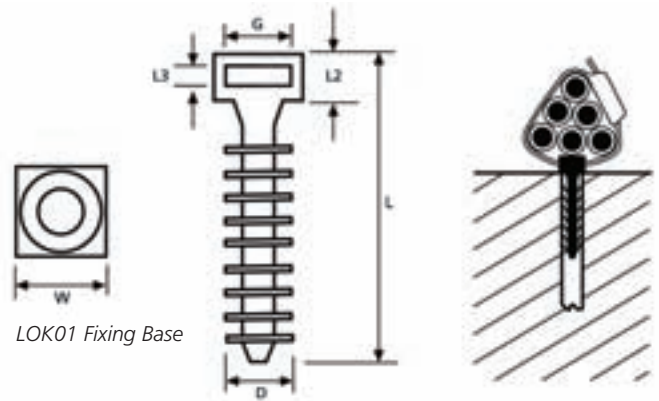
The LOK01 - LOK05 were primarily designed to be used with the RPE and PE series of cable ties but will function just as well with any cable ties up to 9 mm wide.

Suitable for use in a wide range of materials including, concrete, brick, block or wood.

Installed by knocking into a 7 mm or 8 mm diameter hole (depending on the material). The LOK01B is designed for soft brickwork and 6 mm holes. Because of its elongated head, the bundles can be located at a distance from the brickwork with the LOK05.

### Application

The LOK mounts, in conjunction with a cable tie can be used either indoors or outdoors for a diverse range of applications from holding climbing plants, to securing cables running between buildings.



LOK01 Fixing Base

#### Material Data

RoHS	Material	Polyamide 6.6 (PA66)
	Colour	Black (BK)
	Operating Temperature	-40°C to +85°C Continuous, (+105°C for 500 h)
	Flammability	UL94 V2



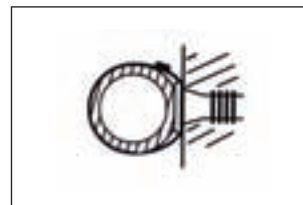
#### Technical Table

Code	Length (L)	Length (L2)	Length (L3)	Width (W)	Ø D	Strap Width max. (G)	Fixing Hole Ø (FH)
LOK01	44.0	6.5	2.5	12.0	9.2	9.0	7.0-8.0
LOK01B	30.0	6.5	2.5	12.0	7.2	9.0	6.0
LOK01S	34.0	6.5	2.5	12.0	9.2	9.0	7.0-8.0
LOK05	49.0	12.5	2.5	12.0	9.2	9.0	7.0-8.0

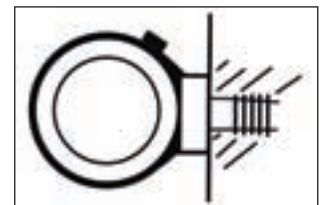
All dimensions in mm. Subject to technical changes.

## EasyHold Fastening Systems

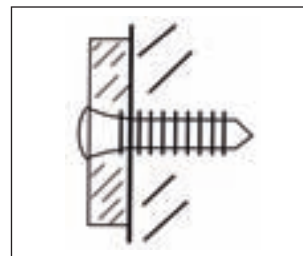
- Standard colours: Black / White
  - Suited for fixing cables and pipes up to 100mm diameter
  - Can withstand a pull out force of up to 100kg
  - Easy installation: drill the recommended hole size, hammer the Easyhold plug into place and easily secure cable or pipe with suitable cable tie.
- Note: Black is UV stabilised, White is for use indoors*
- Suitable for use by Electricians, Plumbers and DIY.
  - SABS tests available upon request.
  - Manufactured from super-tough nylon



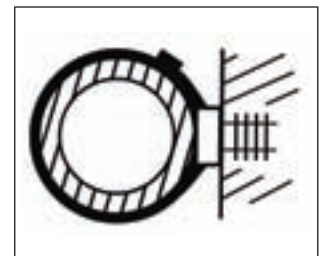
EasyHold Miniplugs



EasyHold Plugs



EasyHold Anchors



EasyHold Maxiplugs

#### Technical Table

Code	Diameter (mm)	Drill Size (mm)	Cable Tie	Pull-out Force
EH1\$5	5mm	5mm	T18R (104 x 2.5mm)	Mini fixing applications
EH1\$6	6mm	6-7mm	T30R (150 x 3.5mm)	Mini fixing applications
EH1\$8	8mm	8mm	T50R (205 x 4.7mm)	100kg
EH1\$10	10mm	10mm	T120R (395 x 7.8mm)	100kg

All dimensions in mm. Subject to technical changes.

