

Inspired by Minimalism

4.0 Electrical Installation

| | |
|------------------------------------|---------|
| Twine, Lacing, LOH | 163 |
| Cable Clips..... | 164 |
| Electrical Insulation Tape..... | 165-166 |
| Slotted and Solid Trunking | 167-168 |
| Cable Glands including Metric..... | 169-171 |
| Cable Glands Accessories..... | 172 |
| Utility Junction Boxes | 173 |
| Wire Connectors..... | 174 |
| Din Rail | 175 |
| Connector Strips | 176 |
| FOSPRO | 176 |
| Line Taps..... | 177 |
| Wall Boxes | 178-179 |
| Earth Rods | 180 |



Twine Lacing

Braided Waxed Nylon Lacing (Black and Natural)

- High temperature up to 150°C
- Oil resistant
- Grips cables as laced and does not loosen if tension is reduced
- Conforms to MIL - T -43435, type 1, finish B



Waxed nylon lacing

| Type | Width (W) | Length (L) | Thickness* Nominal | Breaking Load Min (Kg) | Colour | Article-No. |
|---------|-----------|------------|--------------------|------------------------|----------------|-------------|
| MW062BK | 1.5 | 460 | 0.3 | 13.6 | Black (BK) ■ | 174-00001 |
| MW062NT | 1.5 | 460 | 0.3 | 13.6 | Natural (NT) ■ | 174-00002 |
| MW090BK | 2.3 | 460 | 0.3 | 22.7 | Black (BK) ■ | 174-00003 |
| MW090NT | 2.3 | 460 | 0.3 | 22.7 | Natural (NT) ■ | 174-21041 |

All dimensions in mm. Subject to technical changes
Measured under 0.45kg tension

LOH Lacing

Waxed Nylon Lacing (Natural)

- Low cost version of MW waxed nylon



LOH lacing

| Type | Ø | Length (m) | Colour | Article-No. |
|--------|-----|------------|----------------|-------------|
| LOH1NT | 1.7 | 1000 | Natural (NT) ■ | 174-00231 |
| LOH2NT | 2 | 1000 | Natural (NT) ■ | 174-00235 |

All dimensions in mm. Subject to technical changes

HellermannTyton Clips

Cable Clips, Round and Flat (Black and White)

- Full range of saddles to fit all common cables sizes



Cable clips

| Type | Cable Size | Pin Lx | Pin Ø | Style | Colour | Article-No. |
|----------|------------|--------|-------|-------|--------------|-------------|
| HT350WT | 3.5 | 15 | 1 | Round | White (WT) □ | 911-01085 |
| HT400WT | 4 | 20 | 1.5 | Round | White (WT) □ | 911-01086 |
| HT500WT | 5 | 20 | 1.5 | Round | White (WT) □ | 911-01087 |
| HT600BK | 6 | 20 | 1.5 | Round | Black (BK) ■ | 911-01088 |
| HT600WT | 6 | 20 | 1.5 | Round | White (WT) □ | 911-01089 |
| HT700BK | 7 | 20 | 1.5 | Round | Black (BK) ■ | 911-01090 |
| HT700WT | 7 | 20 | 1.5 | Round | White (WT) □ | 911-01091 |
| HT800BK | 8 | 29 | 2 | Round | Black (BK) ■ | 911-01092 |
| HT800WT | 8 | 29 | 2 | Round | White (WT) □ | 911-01093 |
| HT900BK | 9 | 29 | 2 | Round | Black (BK) ■ | 911-01094 |
| HT900WT | 9 | 29 | 2 | Round | White (WT) □ | 911-01096 |
| HT1000BK | 10 | 29 | 2 | Round | Black (BK) ■ | 911-01097 |
| HT1000WT | 10 | 29 | 2 | Round | White (WT) □ | 911-01098 |
| HT1100WT | 11 | 29 | 2 | Round | White (WT) □ | 911-01099 |
| HT1200BK | 12 | 29 | 2 | Round | Black (BK) ■ | 911-01100 |
| HT1200WT | 12 | 29 | 2 | Round | White (WT) □ | 911-01101 |
| HT2000WT | 20 | 29 | 2 | Round | White (WT) □ | 911-01102 |
| HT50WT | 5 | 15 | 1.5 | Flat | White (WT) □ | 911-01081 |
| HT90WT | 9 | 29 | 2 | Flat | White (WT) □ | 911-01082 |
| HT100WT | 10 | 29 | 2 | Flat | White (WT) □ | 911-01083 |
| HT120WT | 12 | 29 | 2 | Flat | White (WT) □ | 911-01084 |

All dimensions in mm. Subject to technical changes

Electrical Insulation Tape

Hellertape: HT2 and HT3, PVC (Black and Colour)

- Operating temperature -10°C to + 80°C
- Cold and weather resistant
- Flame retardant
- Unaffected by moisture and most chemicals
- Good ageing characteristics
- No flapping or deterioration even under high temperatures

Technical Data

| Description | HT2 | HT3 |
|--|-----|-----|
| Adhesion (N/cm) | 1.8 | 1.6 |
| Tensile strength (N/cm) | 26 | 17 |
| Elongation (%) | 200 | 160 |
| Breakdown Voltage (kV) mm ² | 8 | 5.5 |



HT2

| Type | Width (W) | Length (m) | Thickness | Colour | Article-No. |
|-------|-----------|------------|-----------|---------------|-------------|
| HT2BK | 18 | 20 | 0.18 | Black (BK) ■ | 911-01103 |
| HT2BL | 18 | 20 | 0.18 | Blue (BL) ■ | 911-01104 |
| HT2WT | 18 | 20 | 0.18 | White (WT) □ | 911-01107 |
| HT2GR | 18 | 20 | 0.18 | Green (GR) ■ | 911-01105 |
| HT2RD | 18 | 20 | 0.18 | Red (RD) ■ | 911-01106 |
| HT2YL | 18 | 20 | 0.18 | Yellow (YL) ■ | 911-01108 |

All dimensions in mm. Subject to technical changes

HT3

| Type | Width (W) | Length (m) | Thickness | Colour | Article-No. |
|-------|-----------|------------|-----------|---------------|-------------|
| HT3BK | 19 | 10 | 0.13 | Black (BK) ■ | 911-01109 |
| HT3BL | 19 | 10 | 0.13 | Blue (BL) ■ | 911-01110 |
| HT3WT | 19 | 10 | 0.13 | White (WT) □ | 911-01114 |
| HT3GR | 19 | 10 | 0.13 | Green (GR) ■ | 911-01111 |
| HT3RD | 19 | 10 | 0.13 | Red (RD) ■ | 911-01113 |
| HT3YL | 19 | 10 | 0.13 | Yellow (YL) ■ | 911-01115 |

All dimensions in mm. Subject to technical changes

Recommended Industries for HT3:



Premium Vinyl Electrical Tape

HelaTape Flex 1000+, PVC (Black and Colour)

- Operating temperature -18°C to + 105°C
- Adhesion to backing (N/10mm) - 2.7
- Adhesion to steel (N/10mm) - 3.0
- Tensile strength (N/mm²) - 35
- Elongation - 300%
- Dielectric Strength (kV/mm) - 45
- All-weather, highly flexible, professional grade, self-adhesive vinyl electrical tape
- Pressure sensitive high quality rubber based adhesive
- Excellent resistance to abrasion, moisture, chemicals, corrosion and UV exposure
- Protective jacketing for low, medium and high voltage splices and repairs up to 1kV
- Flame retardant (UL 510)



| Type | Width (W) | Length (m) | Thickness (T) | Colour | Article-No. |
|------------------|-----------|------------|---------------|--------------|-------------|
| HHTAPEFLEX1000BK | 19 | 20 | 0.18 | Black (BK) ■ | 710-10601 |
| HHTAPEFLEX1000BL | 19 | 20 | 0.18 | Blue (BL) ■ | 710-10603 |
| HHTAPEFLEX1000RD | 19 | 20 | 0.18 | Red (RD) ■ | 710-10604 |
| HHTAPEFLEX1000WT | 19 | 20 | 0.18 | White (WT) □ | 710-10607 |

All dimensions in mm. Subject to technical changes

Electrical Insulation Tape

Nitto (Black and Colour)

- Operating temperature -10°C to + 80°C
- Adhesion (N/cm) - 1.8
- Tensile strength (N/cm) - 26
- Elongation (%) - 200%
- Breakdown Voltage (kV) - 9
- Cold and weather resistant
- Good ageing characteristics
- Unaffected by moisture and most chemicals
- No flagging or deterioration even under high temperatures
- Insulation Class 9



| Type | Width (W) | Length (m) | Thickness (T) | Colour |
|----------|-----------|------------|---------------|---------------|
| A21BK208 | 18 | 20 | 0.2 | Black (BK) ■ |
| A21BL208 | 18 | 20 | 0.2 | Blue (BL) ■ |
| A21WT208 | 18 | 20 | 0.2 | White (WT) □ |
| A21GR208 | 18 | 20 | 0.2 | Green (GR) ■ |
| A21RD208 | 18 | 20 | 0.2 | Red (RD) ■ |
| A21YL208 | 18 | 20 | 0.2 | Yellow (YL) ■ |

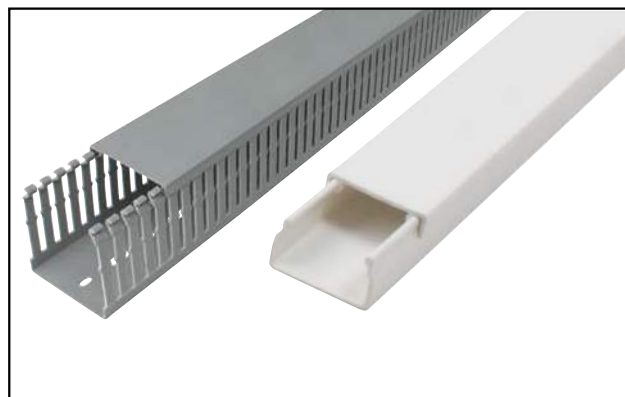
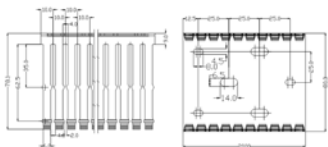
All dimensions in mm. Subject to technical changes

Cable Securing

Trunking: Slotted (Grey) and Solid (White)

- Tough, rigid material with excellent resistance to chemicals and aging properties
- Material lead and cadmium free
- Self-extinguishing
- SABS IEC 61084:1919

Trunking: Slotted (Grey)



Finger trunking and Solid trunking

| Type | Slot Width | Width (W) | Height (H) | Material | Colour | Length (m) | Bundle |
|--------|------------|-----------|------------|------------|-------------|------------|--------|
| 1530N | 10 | 15 | 30 | RAL700 PVC | Grey (GY) ■ | 2 | 50 |
| 2540N | 10 | 25 | 40 | RAL700 PVC | Grey (GY) ■ | 2 | 56 |
| 2560N | 10 | 25 | 60 | RAL700 PVC | Grey (GY) ■ | 2 | 40 |
| 2580N | 10 | 25 | 80 | RAL700 PVC | Grey (GY) ■ | 2 | 28 |
| 3030N | 10 | 30 | 30 | RAL700 PVC | Grey (GY) ■ | 2 | 60 |
| 4040N | 10 | 40 | 40 | RAL700 PVC | Grey (GY) ■ | 2 | 38 |
| 4060N | 10 | 40 | 60 | RAL700 PVC | Grey (GY) ■ | 2 | 28 |
| 4080N | 10 | 40 | 80 | RAL700 PVC | Grey (GY) ■ | 2 | 28 |
| 6040N | 10 | 60 | 40 | RAL700 PVC | Grey (GY) ■ | 2 | 26 |
| 6060N | 10 | 60 | 60 | RAL700 PVC | Grey (GY) ■ | 2 | 18 |
| 6080N | 10 | 60 | 80 | RAL700 PVC | Grey (GY) ■ | 2 | 20 |
| 8040N | 10 | 80 | 40 | RAL700 PVC | Grey (GY) ■ | 2 | 28 |
| 8060N | 10 | 80 | 60 | RAL700 PVC | Grey (GY) ■ | 2 | 20 |
| 8080N | 10 | 80 | 80 | RAL700 PVC | Grey (GY) ■ | 2 | 16 |
| 10060N | 10 | 100 | 60 | RAL700 PVC | Grey (GY) ■ | 2 | 16 |
| 10080N | 10 | 100 | 80 | RAL700 PVC | Grey (GY) ■ | 2 | 12 |
| 12080N | 10 | 120 | 80 | RAL700 PVC | Grey (GY) ■ | 2 | 12 |

All dimensions in mm. Subject to technical changes

Trunking: Solid (White)

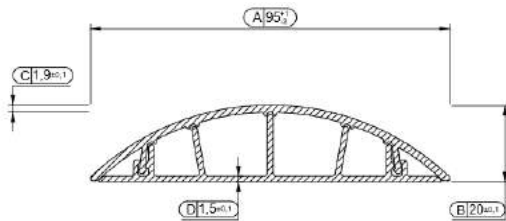
- Snap on lids included
- Available with adhesive backing

| Type | Thickness (T) | Width (W) | Height (H) | Material | Colour | Length (m) | Bundle |
|----------|---------------|-----------|------------|----------|--------------|------------|--------|
| 1616S | 1.0 | 16 | 16 | PVC | White (WT) □ | 3 | 20 |
| 1616S29 | 1.0 | 16 | 16 | PVC | White (WT) □ | 3 | 20 |
| 2516S | 1.0 | 25 | 16 | PVC | White (WT) □ | 3 | 20 |
| 2525S | 1.0 | 25 | 25 | PVC | White (WT) □ | 3 | 20 |
| 4016S | 0.9 | 40 | 16 | PVC | White (WT) □ | 3 | 10 |
| 4025S | 1.0 | 40 | 25 | PVC | White (WT) □ | 3 | 10 |
| 4040S | 1.02 | 40 | 40 | PVC | White (WT) □ | 3 | 10 |
| 7575S* | 2.2 | 75 | 75 | PVC | White (WT) □ | 3 | 4 |
| 7575SWT* | 2.2 | 75 | 75 | PVC | White (WT) □ | 3 | 4 |
| 10040S | 2.0 | 100 | 40 | PVC | White (WT) □ | 3 | 4 |
| 10050S* | 2.5 | 100 | 50 | PVC | White (WT) □ | 3 | 2 |
| 100100S* | 2.5 | 100 | 100 | PVC | White (WT) □ | 3 | 2 |

All dimensions in mm. Subject to technical changes. * Minimum Order Quantity (MOQ) maybe required

Trunking: Floor (White)

- Snap on lid included
- Available with adhesive backing
- RCC No. 0608092
- Tough, rigid material with excellent resistance to chemicals and aging properties
- Material lead and cadmium free
- Self-extinguishing
- SABS IEC 61084:1919

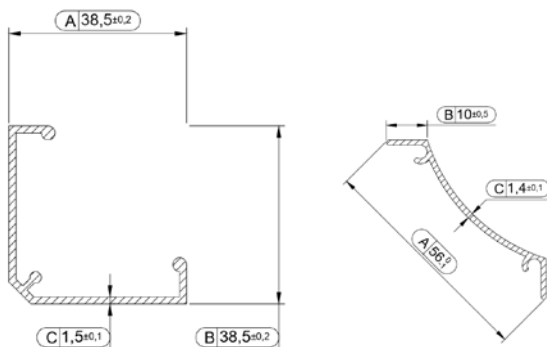


Solid floor trunking

| Type | Thickness (T) | Width (W) | Material | Colour | Length (m) | Bundle |
|--------|---------------|-----------|----------|-------------------------------------|------------|--------|
| FT48GY | 2 | 48 | PVC | White (WT) <input type="checkbox"/> | 2 | 10 |
| FT70GY | 2 | 70 | PVC | White (WT) <input type="checkbox"/> | 2 | 10 |

Trunking: Triangle Corner

- Snap on lid included
- Available with adhesive backing
- RCC No. 0608092
- Tough, rigid material with excellent resistance to chemicals and aging properties
- Material lead and cadmium free
- Self-extinguishing
- SABS IEC 61084:1919



Soild corner trunking

| Type | Thickness (T) | Width (W) | Height (H) | Length (m) | Bundle |
|---------|---------------|-----------|------------|------------|--------|
| 4040CNR | 2 | 40 | 40 | 3 | 4 |

Cable Gland Selection: Wire Size and Number of Cores

PVC and PVSC SWA Cables (SABS 1507 600-1000V)

| Wire Size mm ² | Recommended Gland Size For Cable Size/Number of Cores | | | | | | | | | | | | | | | | | |
|------------------------------|---|-----|-----|-----|---|---|---|----|----|----|----|----|----|----|----|----|-----|----|
| | Number of Cores | | | | | | | | | | | | | | | | | |
| | 2 | 3 | 4 | 5 | 6 | 7 | 8 | 10 | 12 | 14 | 15 | 19 | 20 | 21 | 24 | 27 | 30 | 37 |
| 1.5 | 0 | 0 | 0 | 0/1 | 1 | 1 | 1 | 2 | 2 | 2 | 2 | 3 | 3 | 3 | 3 | 3 | 3 | 4 |
| 2.5 | 0 | 0 | 0/1 | 1 | 2 | 2 | 2 | 2 | 3 | 3 | 3 | 3 | 3 | 3 | 4 | 4 | 4 | 4 |
| 4 | 0/1 | 1 | 1 | 1/2 | 2 | 2 | 2 | 3 | 3 | 3 | 3 | 4 | 4 | 4 | 4 | 4 | 4/5 | 5 |
| 6 | 1 | 1 | 1/2 | 2 | 2 | 2 | - | - | - | - | - | - | - | - | - | - | - | - |
| 10 | 1/2 | 2 | 2 | | | | | | | | | | | | | | | |
| 16 | 2 | 2 | 3 | | | | | | | | | | | | | | | |
| 25 | 2/3 | 2/3 | 3 | | | | | | | | | | | | | | | |
| 35 | 2/3 | 3 | 3/4 | | | | | | | | | | | | | | | |
| 50 | 3 | 3/4 | 4 | | | | | | | | | | | | | | | |
| 70 | 3/4 | 4 | 4/5 | | | | | | | | | | | | | | | |
| 95 | 4 | 4/5 | 5 | | | | | | | | | | | | | | | |
| 120 | 4 | 5 | 5 | | | | | | | | | | | | | | | |
| 150 | 4/5 | 5 | 5/6 | | | | | | | | | | | | | | | |
| 185 | 5 | 5/6 | 6 | | | | | | | | | | | | | | | |
| 240 | 6 | 6 | 6/7 | | | | | | | | | | | | | | | |
| 300 | 6 | 6 | 7 | | | | | | | | | | | | | | | |
| ** | 8 | - | - | | | | | | | | | | | | | | | |

All dimensions in mm. Subject to technical changes.

** Check the bedding diameter of the cable

Cable Gland Selection Guide

| Gland Size | Entry | Standard SWA Cable Glands | | A2 Compression Glands | |
|--------------|-------|---------------------------|----------------|-----------------------|----------------|
| | | Bedding Ø (min.) | Cable Ø (max.) | Cable Ø (min.) | Cable Ø (max.) |
| No 00 | 20 | | | 3 | 8 |
| No 0 | 20 | 12.5 | 14.8 | 9 | 12 |
| No 1 | 20 | 15.7 | 18.7 | 12 | 15 |
| No 2 | 25 | 20.6 | 24.4 | 16 | 19 |
| No 3 | 32 | 26.5 | 30 | 21 | 27 |
| No 4 | 40 | 35 | 39.5 | 27 | 36 |
| No 5 | 50 | 44 | 49 | 37 | 45 |
| No 6 | 63 | 56 | 62.2 | 45 | 57 |
| No 7 | 75 | 68 | 74 | 57 | 69 |

Subject to technical changes.

Rotary Cone Glands

BWR Range

- All types of SWA cable
- Clamping of armour wire for earth continuity and mechanical retention of cable
- Used indoor and outdoor
- Easy to install (rotary cone)
- Protects armour wire
- Nickel plated brass glands
- SANS 1213:2017 tested and approved
- Permits available on request

Accessories

- PVC or rubber shrouds (p172)
- Earth tags (p172)



| Type | Size | Entry | Bedding Ø max. | Cable Ø max. | Article-No. |
|------|------|-------|----------------|--------------|-------------|
| BWR0 | No 0 | 20 | 12.5 | 14.8 | 911-01117 |
| BWR1 | No 1 | 20 | 15.7 | 18.7 | 911-01118 |
| BWR2 | No 2 | 25 | 20.6 | 24.4 | 911-01119 |
| BWR3 | No 3 | 32 | 26.5 | 30.0 | 911-01120 |
| BWR4 | No 4 | 40 | 35 | 39.5 | 911-01121 |
| BWR5 | No 5 | 50 | 44 | 49.0 | 911-01122 |
| BWR6 | No 6 | 63 | 56 | 62.2 | 911-01123 |
| BWR7 | No 7 | 75 | 68 | 74.0 | 911-01124 |

All dimensions in mm. Subject to technical changes.

Loose Cone Glands

BWL Range

- All types of SWA cable
- Clamping of armour wire for earth continuity and mechanical retention of cable
- Used indoor and outdoor
- Easy to install (rotary cone)
- Protects armour wire
- Nickel plated brass glands
- SANS 1213:2017 tested and approved
- Permits available on request

Accessories

- PVC or rubber shrouds (p172)
- Earth tags (p172)



| Type | Size | Entry | Bedding Ø max. | Cable Ø max. | Article-No. |
|------|------|-------|----------------|--------------|-------------|
| BWL0 | No 0 | 20 | 12.5 | 14.08 | 911-01125 |
| BWL1 | No 1 | 20 | 15.7 | 18.7 | 911-01126 |
| BWL2 | No 2 | 25 | 20.6 | 24.4 | 911-01127 |
| BWL3 | No 3 | 32 | 26.5 | 30.0 | 911-01128 |
| BWL4 | No 4 | 40 | 35 | 39.5 | 911-01129 |
| BWL5 | No 5 | 50 | 44 | 49.0 | 911-01130 |
| BWL6 | No 6 | 63 | 56 | 62.2 | 911-01131 |
| BWL7 | No 7 | 75 | 68 | 74.0 | 911-01132 |

All dimensions in mm. Subject to technical changes.

Compression Glands

A2 Range

- Nickel-plated brass glands
- All types of 'unarmoured' cable
- Used indoor and outdoor
- Easy to install
- Displacement seal concept ensures effective seal to the outer sheath
- Novel seal design accommodates wide cable range
- SANS 1213:2017 tested and approved
- Permits available on request



| Type | Size | Entry | Bedding Ø (max.) | Cable Ø (max.) | Article-No. |
|------|-------|-------|------------------|----------------|-------------|
| A200 | No 00 | 20 | 3 | 8 | 911-01142 |
| A20 | No 0 | 20 | 9 | 12 | 911-01143 |
| A21 | No 1 | 20 | 12 | 15 | 911-01144 |
| A22 | No 2 | 25 | 15 | 19 | 911-01145 |
| A23 | No 3 | 32 | 21 | 27 | 911-01146 |
| A24 | No 4 | 40 | 27 | 36 | 911-01147 |
| A25 | No 5 | 50 | 37 | 45 | 911-01148 |
| A26 | No 6 | 63 | 45 | 57 | 911-01149 |
| A27 | No 7 | 75 | 57 | 69 | 911-01150 |

All dimensions in mm. Subject to technical changes.

Metric Glands

Metric, PVC, Nylon (Black and White)

- Multipurpose application
- Watertight
- Easy to assemble
- Good strain relief
- Wide clamp range
- Multiple interlock facets guarantee equal compression against cable
- Advanced thread design improves cap/cable compression
- Metric thread, 20 x 1.5mm



| Type | Size | Clamping Range Ø | Thread Length | Material | Colour |
|---------|------|------------------|---------------|----------|--|
| BCS1WT* | No 1 | 10 to 12.5 | 13 | ABS | White (WT) <input type="checkbox"/> |
| BS0BK | No 0 | 8.5 to 10.5 | 13 | PVC | Black (BK) <input checked="" type="checkbox"/> |
| BS0WT | No 0 | 10 to 12.5 | 13 | PVC | White (WT) <input type="checkbox"/> |
| BS1BK | No 1 | 8.5 to 10.5 | 13 | PVC | Black (BK) <input checked="" type="checkbox"/> |
| BS1WT | No 1 | 10 to 12.5 | 13 | PVC | White (WT) <input type="checkbox"/> |

All dimensions in mm. Subject to technical changes.

*Nylon glass-filled

Shrouds

Shrouds PVC (Black)

- PVC commonly used for indoor applications
- Neoprene Rubber is UV stabilised for outdoor applications

| Type | Size | Material | Article-No. |
|------|------|----------|-------------|
| SHP0 | No 0 | PVC | 911-01176 |
| SHP1 | No 1 | PVC | 911-01177 |
| SHP2 | No 2 | PVC | 911-01178 |
| SHP3 | No 3 | PVC | 911-01179 |
| SHP4 | No 4 | PVC | 911-01180 |
| SHP5 | No 5 | PVC | 911-01181 |
| SHP6 | No 6 | PVC | 911-01182 |
| SHP7 | No 7 | PVC | 911-01183 |



Shrouds Rubber

| Type | Size | Material | Article-No. |
|-------|------|----------|-------------|
| SHRL0 | No 0 | Rubber | 911-01190 |
| SHRL1 | No 1 | Rubber | 911-01191 |
| SHRL2 | No 2 | Rubber | 911-01192 |
| SHRL3 | No 3 | Rubber | 911-01193 |
| SHRL4 | No 4 | Rubber | 911-01194 |
| SHRL5 | No 5 | Rubber | 911-01195 |
| SHRL6 | No 6 | Rubber | 911-01196 |
| SHRL7 | No 7 | Rubber | 911-01197 |

Slip-on Earth Tag

| Type | Slip-size | Ø A | Ø B | Article-No. |
|------|-----------|-----|------|-------------|
| ET0 | No 0 | 20 | 6.8 | |
| ET1 | No 1 | 20 | 6.8 | 911-01198 |
| ET2 | No 2 | 25 | 6.8 | 911-01199 |
| ET3 | No 3 | 32 | 6.8 | 911-01200 |
| ET4 | No 4 | 40 | 6.8 | 911-01201 |
| ET5 | No 5 | 50 | 10.5 | 911-01202 |
| ET6 | No 6 | 63 | 10.5 | 911-01203 |
| ET7 | No7 | 75 | 10.5 | |

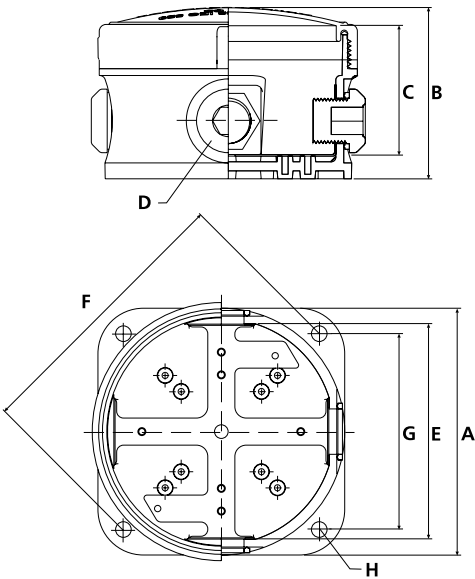
All dimensions in mm. Subject to technical changes.



Utility Junction Box

UV Resistant (White)

- Manufactured from high impact, corrosion and UV-resistant material
- General and industrial installations
- Allows for 1, 2, 3 and 4 way connections
- Blanking plugs, O-rings and lock nuts provided
- No need for drilling and tapping
- Internal earth plate provided (no exposed metal parts)
- Din rail mounting studs provided



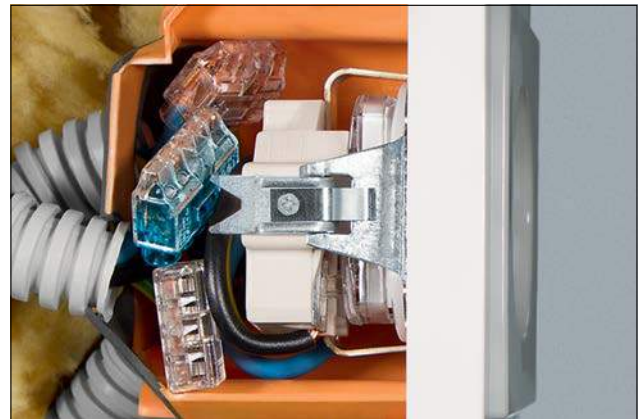
Locally Manufactured

| Type | Total Width (A) | Outside Height (B) | Inside Height (C) | Gland Size (D) | Inside Width (E) | Fixing Hole | | | Article-No. |
|------|-----------------|--------------------|-------------------|----------------|------------------|-------------|-----|-----|-------------|
| | | | | | | (F) | (G) | (H) | |
| UJB1 | 109 | 75 | 57 | M20 | 94 | 122 | 96 | 6.9 | 911-01162 |
| UJB2 | 135 | 85.5 | 59.5 | M25 | 124 | 150 | 106 | 7 | 911-01171 |

Solid and Stranded Wire Connectors

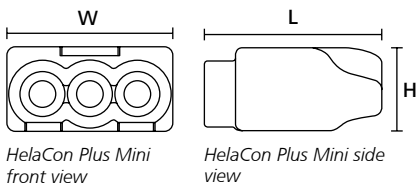
HelaCon Plus Mini (Colour)

- 40% smaller – Space saving design
- Low insertion force – Easy to use, saves time on installation
- Easy access to voltage test entry and innovative port shape design
- Correct installation can be visually checked through transparent housing
- Different colour codes for easy identification of size
- Allows different conductor diameters in each entry
- Safe application, installation and maintenance
- Practical Variobox with 350 pcs. of selected HCPM wire connectors available (148-90046)
- Max Current: 24 A
- Max Voltage: 600V
- Wire Range (VDE) in mm²: 0.5 to 2.5 mm² solid wires / 1.0 to 2.5 mm² stranded wires
- Stripping Length: 11.0mm
- Flammability: UL 94 V0
- Operating Temperatures -30°C to +85°C



HelaCon Plus Mini fits perfect in every space limited situation.

HF ✓ RoHS ✓



HelaCon Plus Mini front view

HelaCon Plus Mini side view

| Type | Drawing | No of Conductors | Material | Colour | Width (W) | Height (H) | Length (L) | Qty. | Article-No. |
|--------|---------|------------------|----------|---|-----------|------------|------------|----------|-------------|
| HCPM-2 | | 2 | PC | Yellow (YL) ■ | 10.8 | 7.7 | 16.5 | 100 pcs. | 148-90036 |
| HCPM-3 | | 3 | PC | Orange (OG) ■ | 15.1 | 7.7 | 16.5 | 100 pcs. | 148-90037 |
| HCPM-4 | | 4 | PC | Transparent (CL) | 19.4 | 7.7 | 16.5 | 100 pcs. | 148-90038 |
| HCPM-5 | | 5 | PC | Blue (BU) ■ | 23.7 | 7.7 | 16.5 | 60 pcs. | 148-90039 |
| HCPM-6 | | 6 | PC | Violet (VT) ■ | 28.0 | 7.7 | 16.5 | 50 pcs. | 148-90040 |
| HCPM-8 | | 8 | PC | Black (BK) ■ | 36.6 | 7.7 | 16.5 | 50 pcs. | 148-90041 |

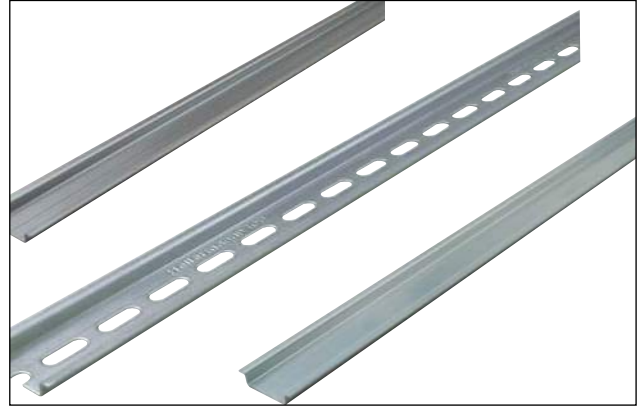
All dimensions in mm. Subject to technical changes.
Minimum Order Quantity (MOQ) may differ from package content.

Suitable for the following industries:



Din Rail

- TS32- 46 277, sheet 1
- TS35 - EN 50 022
- TS35SS - EN 10088-2



| Type | Drawing | Width (W) | Height (H) | Thickness (T) | Material | Length (m) | Article-No. |
|---------|---------|-----------|------------|---------------|--------------------|------------|-------------|
| TS32 | | 16.5 | 15 | 1.5 | Steel, zinc plated | 2 | 181-00706 |
| TS35 | | 35 | 7.5 | 1 | Steel, zinc plated | 2 | 181-00704 |
| TS35S | | 35 | 15 | 1.5 | Steel, zinc plated | 2m Slotted | 181-00701 |
| TS35SSS | | 35 | 7.5 | 1 | Stainless Steel | 2m | 181-00703 |
| TS35AL | | 35 | 8 | 1.5 | Aluminium | 2m | 181-00705 |
| TS35ALS | | 35 | 8 | 1.5 | Aluminium | 2m Slotted | 181-00700 |

All dimensions in mm. Subject to technical changes.
T* in 1.5mm

Connector strips

- Rated Voltage: 380V AC
- Temperature: 85°C



| Type | Wire Size | Rated Current (A) | Material | Colour | Article-No. |
|--------|-----------|-------------------|----------|----------------|-------------|
| CS3MBK | 4 | 3 | PE | Black (BK) ■ | 911-01796 |
| CS5BK | 6 | 5 | PE | Black (BK) ■ | 911-01795 |
| CS15BK | 12 | 15 | PE | Black (BK) ■ | 911-01797 |
| CS15NT | 12 | 15 | PE | Natural (NT) ■ | 911-01798 |
| CS30BK | 16 | 30 | PE | Black (BK) ■ | 911-01799 |
| CS60BK | 25 | 60 | PE | Black (BK) ■ | 911-01800 |

All dimensions in mm. Subject to technical changes.

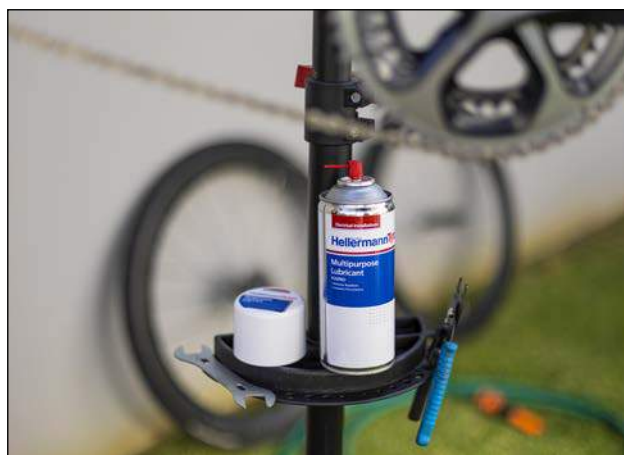
Multipurpose Lubricant

FOSPRO

- High penetrating properties
- Low surface tension and high capillary action allowing for easy dispersion of moisture
- Reduces contact resistance
- High dielectric strength improves insulation resistance
- Provides effective protection against corrosion
- Convenient method of anti-corrosion protection for equipment in storage or transit and requires no degreasing before usage
- Suitable for equipment operating in damp, humid and salt laden atmospheres and/or where frequent hosing down is necessary

Typical Uses

- Heavy duty industrial machinery and equipment (electrical and mechanical)
- General purpose: hinges, locks, bicycles, chains
- Effectively removes rust from surfaces
- Protects circuit boards from moisture
- Penetrating oil used to release rusted bolts or pins

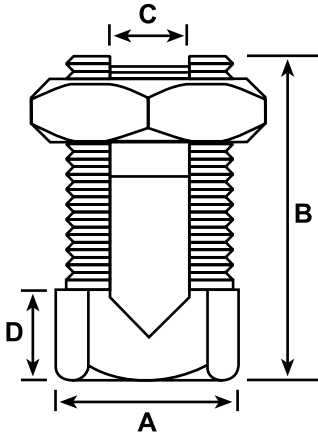


FOSPRO

| Type | Description | Article-No. |
|--------|-------------------|-------------|
| FOSPRO | De-watering fluid | 911-01803 |

Line Taps

- Made with high tensile brass and tin plated
- Threads are formed by a rolling process giving the nut extra clamping force
- Pressure pads are from extruded bar



| Type | Conductor mm ² | Number of Conductors | | | | Article-No. |
|---------|---------------------------|----------------------|------|------|------|-------------|
| | | A | B | C | D | |
| HTLT10 | 10 | 12.6 | 27.4 | 5 | 9.5 | 911-00779 |
| HTLT16 | 16 | 14.5 | 27.4 | 5.5 | 10 | 911-00782 |
| HTLT25 | 25 | 14.5 | 29 | 7 | 10 | 911-00784 |
| HTLT35 | 35 | 20.5 | 35 | 8 | 13 | 911-00785 |
| HTLT50 | 50 | 22 | 42.5 | 9.3 | 17 | 911-00786 |
| HTLT70 | 70 | 26.5 | 47.3 | 11 | 17 | 911-00787 |
| HTLT95 | 95 | 29 | 53 | 14 | 17.5 | 911-00788 |
| HTLT120 | 120 | 34.2 | 59.2 | 16.2 | 18 | 911-00780 |
| HTLT150 | 150 | 34.2 | 59.2 | 16 | 17.5 | 911-00781 |
| HTLT185 | 185 | 32 | 59.2 | 17.8 | 17.5 | 911-00783 |

All dimensions in mm. Subject to technical changes.

Wall Boxes

Hot Dipped Galvanised Wall Box



HT4X2WB and HT4X4WB

| Type | Size | Gland Entry | Machine Screw Thread | Material | Qty | Article-No. |
|---------|------|-------------|----------------------|------------|-----|-------------|
| HT4X2WB | 4x2 | 20 | 4 | Galvanised | 100 | 911-00767 |
| HT4X4WB | 4x4 | 20 | 4 | Galvanised | 100 | 911-00771 |

Wall Box Extensions (White Powder Coated)



HT4X2EBM and HT4X4EBM

| Type | Size | Gland Entry | Machine Screw Thread | Material | Qty | Article-No. |
|----------|------|-------------|----------------------|---------------|-----|-------------|
| HT4X2EBM | 4x2 | 20 | 4 | Powder Coated | 100 | 911-00768 |
| HT4X4EBM | 4x4 | 20 | 4 | Powder Coated | 100 | 911-00772 |

Wall Box (Galvanised)

- Earth stud



HT3X3WB and HT3X6WB

| Type | Size | Gland Entry | Material | Qty | Article-No. |
|----------|------|-------------|------------|-----|-------------|
| HT3X3WB | 3x3 | 20 & 25 | Galvanised | 100 | 911-00775 |
| HT3X6WB | 3x6 | 20 & 25 | Galvanised | 100 | 911-00777 |
| HT3X3WBE | 3x3 | 20 & 25 | Galvanised | 100 | 911-00776 |
| HT3X6WBE | 3x6 | 20 & 25 | Galvanised | 100 | 911-00778 |

All dimensions in mm. Subject to technical changes.

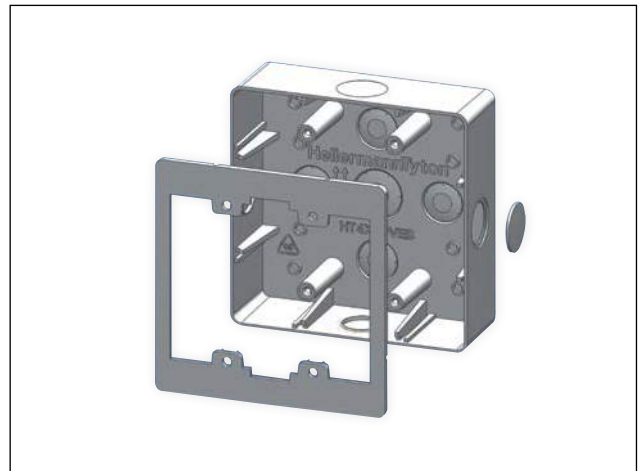
Wall Boxes

Polypropylene (White)

- Operating temperature; -20°C to +85°C
- Designed and manufactured in South Africa to comply with local conditions and specifications
- Unbreakable design
- Easy to remove knockouts
- Five easily removable rear knockouts 1 x 25.0mm and 4 x 20.0mm
- Drill guides for quick mounting
- Extension boxes unique side knock-out
- Flammability UL94 V2
- Certification IEC60335-1:2010 IEC60695-2-11 (Glow wire test 450°C)



Polypropylene wall box range



Innovative design



Locally Manufactured

Wall Boxes

| Type | Size | Gland Entry | Material | Colour | Qty | Article-No. |
|-----------|------|-------------|---------------|-------------------------------------|-----|-------------|
| HT4X2PVWB | 4x2 | 20 | Polypropylene | White (WT) <input type="checkbox"/> | 100 | 911-00769 |
| HT4X4PVWB | 4x4 | 20 | Polypropylene | White (WT) <input type="checkbox"/> | 100 | 911-00773 |

All dimensions in mm. Subject to technical changes.

Wall Box Extensions

| Type | Size | Gland Entry | Material | Colour | Qty | Article-No. |
|-----------|------|-------------|---------------|-------------------------------------|-----|-------------|
| HT4X2PVEB | 4x2 | 20 & 25 | Polypropylene | White (WT) <input type="checkbox"/> | 100 | 911-00770 |
| HT4X4PVEB | 4x4 | 20 & 25 | Polypropylene | White (WT) <input type="checkbox"/> | 100 | 911-00774 |

All dimensions in mm. Subject to technical changes.

Copper Bonded Earth Rods



HTCBER1200X12 AND HTCBER1200X13

- Low cost
- No exposed steel (no rust)
- Corrosion resistant
- High tensile strength
- Low carbon steel core
- Suitable for deep driving
- *HTCBER1200X13: SABS 1063:2020 approval (Authorization certificate available on request)



| Type | Length (mm) | Φ | Micron |
|----------------|-------------|----|--------|
| HTCBER1200X12 | 1200 | 12 | 250 |
| HTCBER1200X13* | 1200 | 13 | 250 |

Optional Accessories

| Type | Image | Description |
|----------------|---|---------------|
| HTCBERCLAMP |  | Earth Clamp |
| HTCBERCOUPLING |  | Earth Coupler |



- Strong molecular bond is achieved by applying 99.95% pure copper electrolytically between steel core and copper
- Molecularly bonded copper covers full length of rod including threads
- Thread strength is achieved thru cold rolling process

