

HellermannTyton

T820

**DIGITAL MULTIMETER
OPERATION MANUAL**

1. General

The instrument is a pocket digital multimeter, which is used to measure DCV, ACV, and DCA, resistance, diode and continuity test. It is an ideal tool for labs, household and wireless enthusiasts.

2. Safety Notes

1. Do not input a limit value over the range when measuring.
2. When measuring voltage higher than 36V DCV, 25V ACV, check the connection and insulation of the test leads to avoid electric shock.
3. Keep the test leads away from the testing point when converting function and range.
4. Don't add voltage to the input terminal when measuring resistance.

3. Specification


1. General Features

1-1. Displaying: 22mm digit height LCD display.

1-2. Max. Indication: 1999 (31/2) auto polarity indication.

1-3. Sampling rate: approx. 3 times/ sec

1-4. Over Range Indication: MSD displays "1"

1-5. Low Battery Indication: "  "

symbol displays.

1-6. Operation Environment: (0 ~ 40) °C , relative humidity < 80% .

1-7. Power: 9V battery (NEDA1604/6F22 or equivalent)

1-8. Measurement: 145×85×30mm (Length×Width×Height)

1-9. Weight: Approx. 170g (including a 9V battery)

1-10. Accessories: Operation Manual, Product Certificate, Packing box, Test leads

and a 9V battery.

2. Technical Features

Accuracy: $\pm (a\% \times \text{reading} + d)$

Surrounding: $(23 \pm 5)^\circ\text{C}$, relative humidity $< 75\%$. One year warranty since the date of manufacture.

2.1 DCV

Range	Accuracy	Resolution
200mV	\pm (0.5%+4)	100uV
2V		1mV
20V		10mV
200V		100mV
600V	\pm (1.0%+5)	1V

Input impedance: $1\text{M}\ \Omega$ for all ranges.

2.2 ACV

Range	Accuracy	Resolution
200V	\pm	100mV

600V	(1.2%+10)	1V
------	-----------	----

Input impedance: $1\text{M}\Omega$.

Frequency Response: (40~200)Hz

2.3 DCA

Range	Accuracy	Resolution
20uA	\pm (1.5%+3)	0.01uA
200uA		0.1uA
2mA		1uA
20mA		10uA
200mA		100uA
10A	\pm (2.0%+5)	10mA

Max. Input current: 10A (no more than 6 seconds)

Overload Protection: 0.2A/250V;
10A/250V fuse.

2.4 Resistance


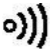
Range	Accuracy	Resolution
200 Ω	\pm (0.8%+5)	0.1 Ω
2k Ω	\pm (0.8%+3)	1 Ω
20k Ω		10 Ω
200k Ω		100 Ω
20M Ω	\pm (1.0%+15)	10k Ω

Overload Protection: 250V DC/AC peak value

Note: At range 200 Ω , first short-circuit the meter pens to measure the wire

resistance. Then subtract it from the real measurement.

2.5 Diode and continuity test

Range	Display	Testing Condition
	Forward voltage drop of diode	Forward DCA is approx. 1mA, Backward voltage is approx. 3V
	Buzzer makes a long sound while resistance is less than $(70 \pm 20) \Omega$	Open voltage is approx. 3V

Overload Protection: 250V DC/AC

peak value

2.6 DC Voltage Measurement

1. Apply the black test lead to "COM" terminal and the red test lead to "V/ Ω " terminal.
2. Set the knob to a proper DCV range, and connect the test leads crossly to the electric circuit under test. LCD displays polarity and voltage under test connected by the red test lead.

Note:

1. Firstly, the knob should be set to the highest range if users have no idea about the range of voltage under test. Then select the proper range based on display value.
2. If MSD displays "1", it means the meter is over range. Please set the knob to a higher range.

3. Do not attempt to input voltage over 600V. Otherwise, it may damage the circuit of the meter.
4. Avoid touching high voltage circuit when measuring it.

2.7 AC Voltage Measurement

1. Apply the black test lead to "COM" terminal and the red test lead to "V/ Ω " terminal.
2. Set the knob to a proper ACV range, and connect the test leads crossly to the electric circuit under test.

Note:

1. Firstly, the knob should be set to the highest range if users have no idea about the range of voltage under test. Then select the proper range based on display value.
2. If MSD displays "1", it means the meter

is over range. Please set the knob to a higher range.

3. Do not attempt to input voltage over 600Vrms. Otherwise, it may damage the circuit of the meter.

4. Avoid touching high voltage circuit when measuring it.

2.8 DC Current Measurement

1. Apply the black test lead to "COM" terminal and the red test lead to "V/ Ω " terminal (max. 200mA), or put the red test lead to "10A" terminal (max. 10A).
2. Set the knob to a proper DCA range, and connect the test leads in series to the electric circuit under test. LCD displays polarity and current value under test connected by the red test lead.

Note:

1. Firstly, the knob should be set to the

highest range if users have no idea about the range of voltage under test. Then select the proper range based on display value.

2. If MSD displays “1”, it means the meter is over range. Please set the knob to a higher range.
3. The max input current is 200mA or 10A (depends on the insert position of the red meter pen). Excessive current will melt the fuse. When measuring, if the meter has no reading display, please check relevant fuse.

2.9 Resistance Measurement


1. Apply the black test lead to "COM" terminal and the red test lead to “V/ Ω ” terminal.
2. Set the knob to a proper resistance range, and connect the leads crossly to the

resistance under test.

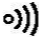
Note:

1. The LCD displays "1" when the resistance is over the selected range. The knob should be adjusted to a higher range. When resistance under test is over $1\text{M}\Omega$, the reading shall be stable in a few seconds, which is a normal status when measuring high resistance.
2. When the input terminal is in open circuit, it displays overload.
3. When measuring in line resistor, be sure that the power is off and all capacitors are released completely.
4. It is absolutely forbidden to input voltage at the range of resistance, though the meter has voltage protection function at this range.

2.10 Diode Test

1. Apply the black test lead to "COM" terminal and the red lead to "V/ Ω " terminal (the polarity of red lead is "+")
2. Set the knob to " \rightarrow  "range, connect test leads to the diode under test. The red test lead connects to diode positive polarity and the reading is the approx. value of diode forward voltage drop.

2.11 Continuity Test

Set the knob to " "range, apply test leads to the two points of tested circuit. If the inner buzzer sounds, the resistance is less than $(70 \pm 20) \Omega$.

4. Maintenance

This is a precise meter; please don't try to modify the circuit.


Note:

1. Do not input voltage over DC600V or AC 600V_{rms}.

2. Do not measure voltage on range Ω .
3. Do not use this meter for measurement if the battery is not correctly placed or the back case is not properly screwed.
4. Remove the test leads from the testing points and turn off the meter before replacing battery or fuse.

Battery Replacement

Note: Pay attention to the battery status.

Please replace the battery when LCD displays “  ” .

Steps:

1. Unscrew the battery cover.
2. Take out the 9V battery and replace it with a new one.
3. Install and screw the battery cover.

Fuse Replacement (This operation could only be processed in power off status.)

1. Unscrew the battery cover.

2. Take out the battery and open the back cover.
3. Please use fuse of the same specification.

The operation manual is subject to change without notice.

The content of this manual is regarded as correct. In case readers find any errors and missing parts, please contact the manufacturer.

The Company shall not be held liable for any accidents and hazards resulted from the mal-operations by the user.

The function stated in this operation manual can not be taken as the reason for using the product for special purposes.

This product needs to connect high voltage for measurement, so please don't try to modify the circuit. Users who modify the circuit by themselves should take the responsibility of any consequence caused.

601E-830L-000C